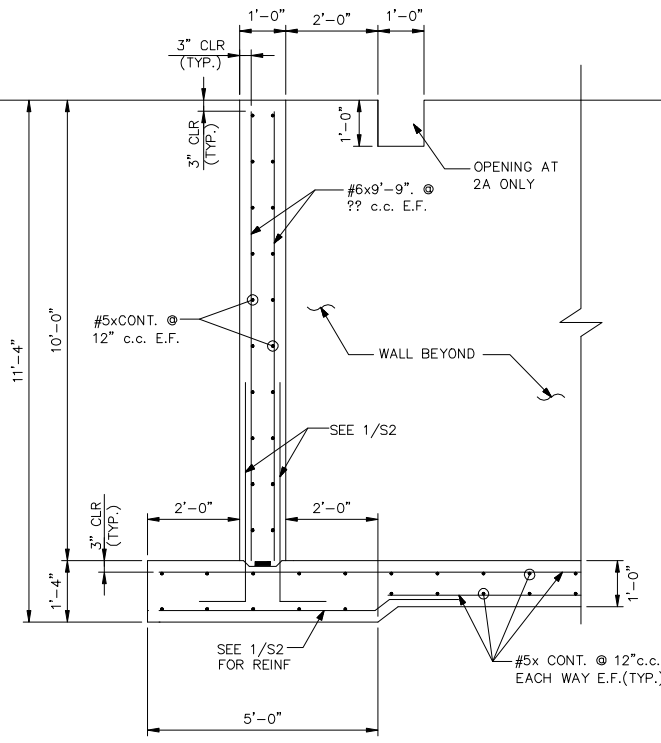
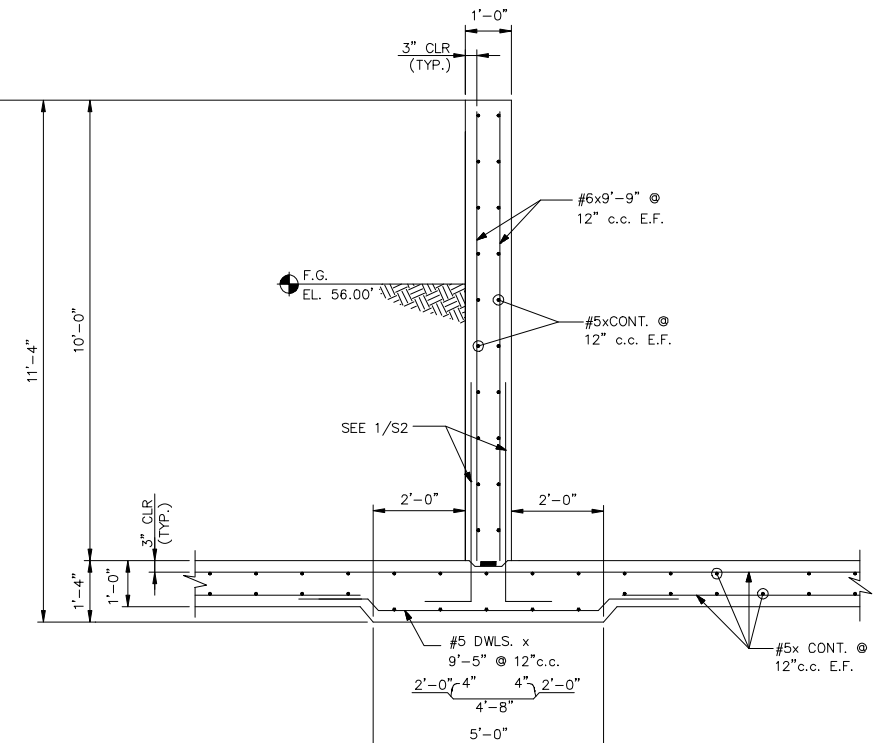


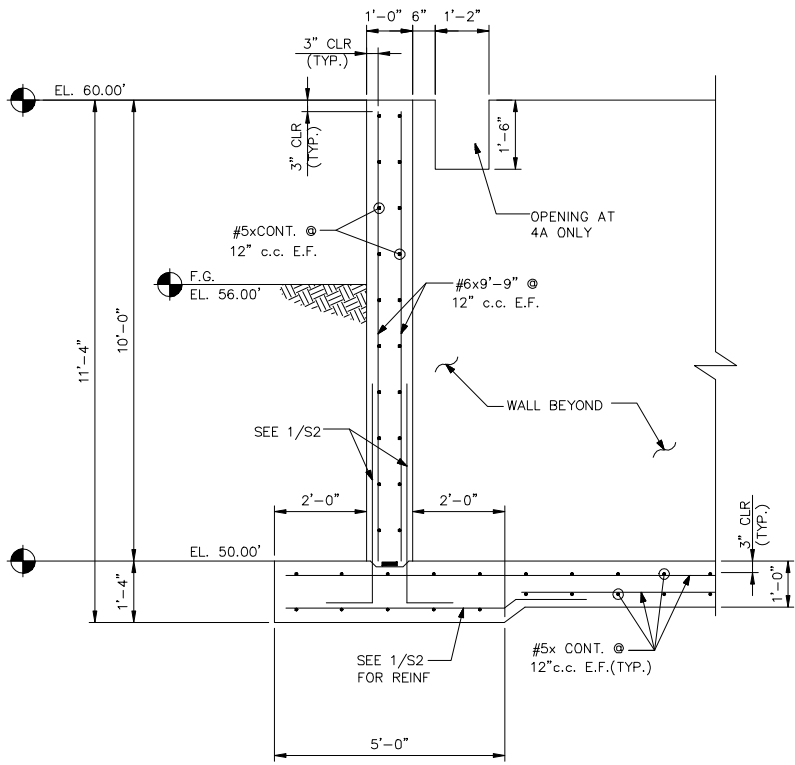
1 SECTION
S2 SCALE: 1/2"=1'-0"



2 SECTION
S2 2A SCALE: 1/2"=1'-0"



3 SECTION
S2 SCALE: 1/2"=1'-0"



4 SECTION
S2 4A SCALE: 1/2"=1'-0"

NO.	DATE	REVISIONS	APP.
NOTE: CITY SIGNATURES VALID FOR ONE YEAR ONLY AFTER DATE OF SIGNATURES			
DEPARTMENT OF PUBLIC WORKS AND ENGINEERING			
WATER	TRAFFIC & TRANSPORTATION		
WASTEWATER	STORM WATER QUALITY		
STORM	FACILITIES		
STREET & BRIDGE			
FILE NO:			
JOB NO:			
DATE:			
DGN. BY:			
DWG. BY:			
SCALE:			
SHEET No.	OF 39		